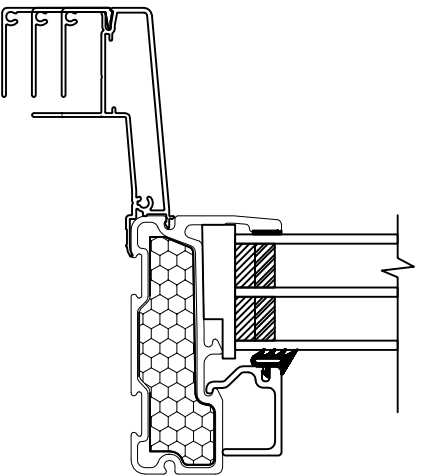
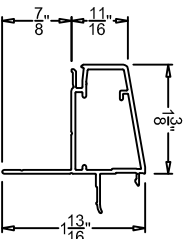


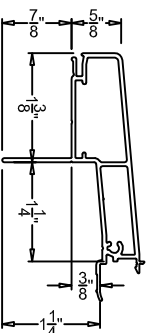
ALL PURPOSE WITH
EXTENSION OPTIONS



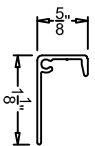
TRIMLINE WITH
EXTENSION OPTIONS



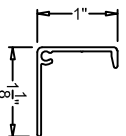
ALL PURPOSE BRICKMOULD



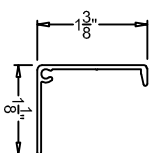
TRIMLINE BRICKMOULD



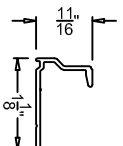
5/8" TRIMLINE
BRICKMOULD
EXTENSION



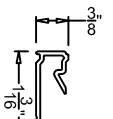
1" TRIMLINE
BRICKMOULD
EXTENSION



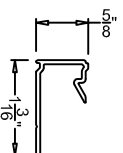
1-3/8" TRIMLINE
BRICKMOULD
EXTENSION



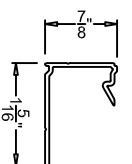
5/8" ADAPTER
CAP



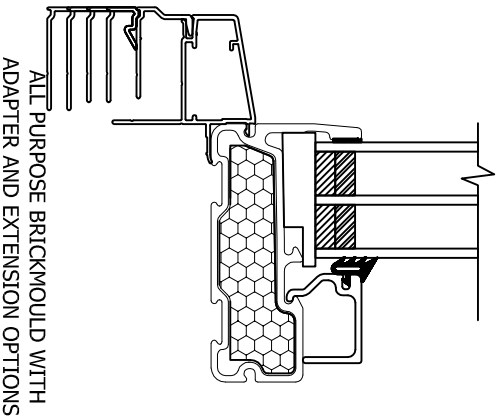
3/8"
BRICKMOULD
EXTENSION



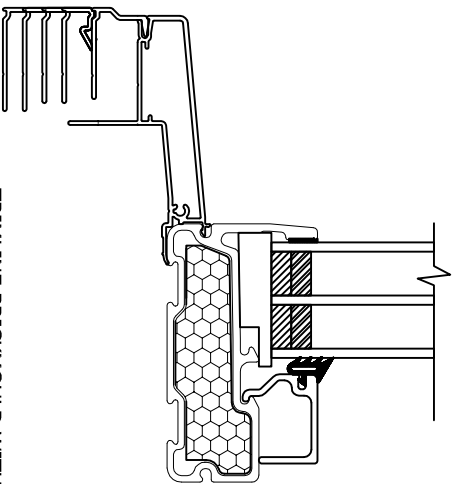
5/8"
BRICKMOULD
EXTENSION



7/8"
BRICKMOULD
EXTENSION



ALL PURPOSE BRICKMOULD WITH
ADAPTER AND EXTENSION OPTIONS



TRIMLINE BRICKMOULD WITH
ADAPTER AND EXTENSIONS OPTIONS

#	DATE	REVISIONS	#	DATE	REVISIONS
01			08		
02			09		
03			10		
04			11		
05			12		
06			13		
07			14		

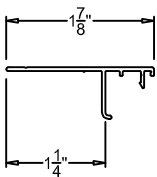
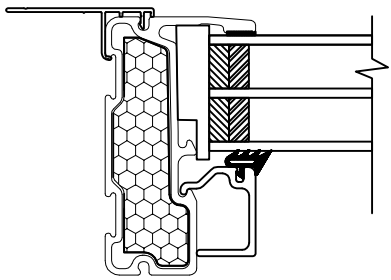
THIS DRAWING IS THE PROPERTY OF ACCURATE DORWIN CO. DESIGN CONCEPTS AND INFORMATION MAY NOT BE REPRODUCED USED OR DISCLOSED WITHOUT THE WRITTEN PERMISSION OF ACCURATE DORWIN.CO.

DO NOT SCALE DRAWINGS
TOLERANCES: Unless Specified Otherwise
+/- 1/16" +/- 1.5mm

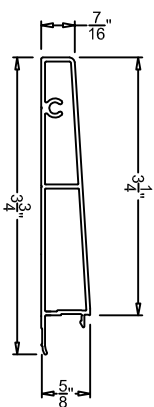
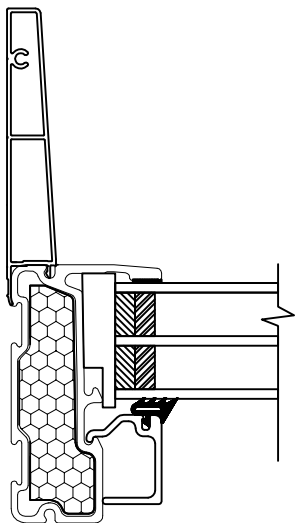
DRAWN BY: JV DATE: 3/1/16
SCALE: 10:1

BRICKMOULDS PAGE 10F2

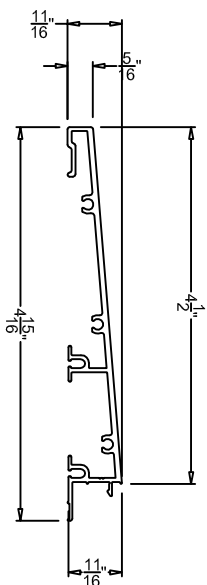
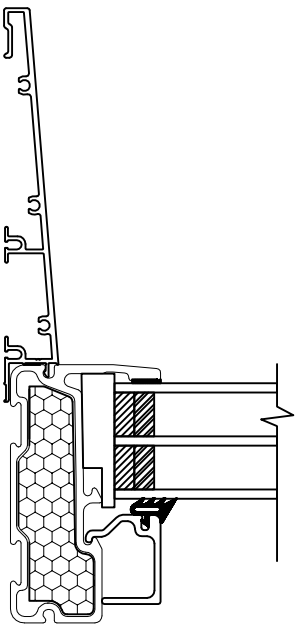




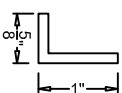
ALUMINUM
NAILING FLANGE



PANNING BRICKMOULD



"K" PANNING BRICKMOULD



K-PAN NAIL FIN
(UNEQUAL ANGLE)

#	DATE	REVISIONS	#	DATE	REVISIONS
01			08		
02			09		
03			10		
04			11		
05			12		
06			13		
07			14		

THIS DRAWING IS THE PROPERTY OF ACCURATE DORWIN CO. DESIGN CONCEPTS AND INFORMATION MAY NOT BE REPRODUCED USED OR DISCLOSED WITHOUT THE WRITTEN PERMISSION OF ACCURATE DORWIN.CO.

DO NOT SCALE DRAWINGS
TOLERANCES: Unless Specified Otherwise
+/- 1/16" +/- 1.5mm
DRAWN BY: JV DATE: 3/1/16
SCALE: 10:1
BRICKMOLDS PAGE 2 OF 2

