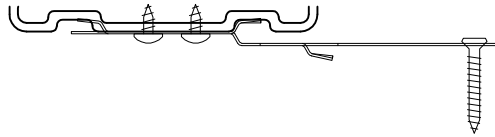
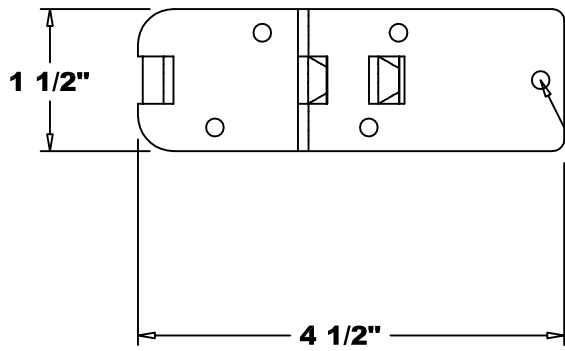


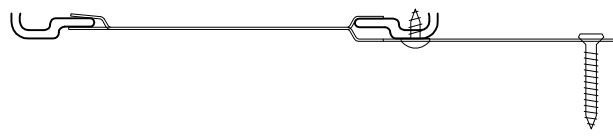
- AWN/PICT/CASEMENT SYSTEM**
- SCREW ON CLIP.
 - 4" FROM EACH SIDE, THEN 18" BETWEEN CLIPS.
 - ANCHOR SCREWS REQUIRED.



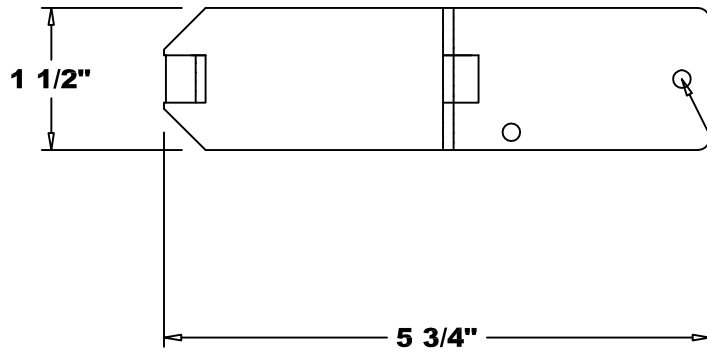
- SINGLE HUNG/SLIDER SYSTEM**
- SCREW ON CLIP.
 - 4" FROM EACH SIDE, THEN 18" BETWEEN CLIPS.
 - ANCHOR SCREWS REQUIRED.



INSTALLER'S ANCHORING SCREW HOLE



- 450 SERIES:**
- AWN/PICT/CASEMENT SYSTEM**
- TWIST ON CLIP WITH SCREW.
 - 4" FROM EACH SIDE, THEN 18" BETWEEN CLIPS.
 - ANCHOR SCREWS REQUIRED.



INSTALLER'S ANCHORING SCREW HOLE

accurate dorwin inc.			
DRAWN: DF	DATE: OCT 4/16	TITLE: INSTALLATION CLIP	
CHECKED:	DATE:	SIZE: A	DWG NO: DETAILS
APPROVED:	DATE:	SCALE:	SHEET 1 OF 1